**NKIS30-XL**

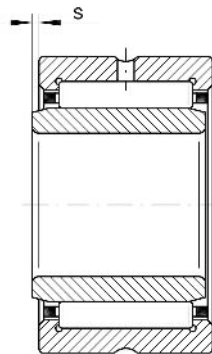
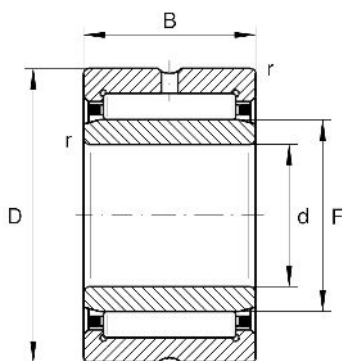
Radial roller bearing

Schaeffler ID:  
0507709930000

Needle roller bearings NKIS, heavy series

X-life

## Technical information

**Main Dimensions & Performance Data**

d	30 mm	Bore diameter
D	52 mm	Outside diameter
B	22 mm	Width
$C_r$	41.500 N	Basic dynamic load rating, radial
$C_{0r}$	50.000 N	Basic static load rating, radial
$C_{ur}$	8.800 N	Fatigue load limit, radial
$n_G$	11.700 1/min	Limiting speed
$n_{G \text{ Grease}}$	7.000 1/min	Limiting speed for grease lubrication
$n_{gr}$	6.400 1/min	Reference speed
$\approx m$	184 g	Weight

**Dimensions**

$r_{\min}$	0,6 mm	Minimum chamfer dimension
F	37 mm	Raceway diameter inner ring
s	1 mm	Axial displacement

**Temperature range**

$T_{\min}$	-30 °C	Operating temperature min.
$T_{\max}$	120 °C	Operating temperature max.