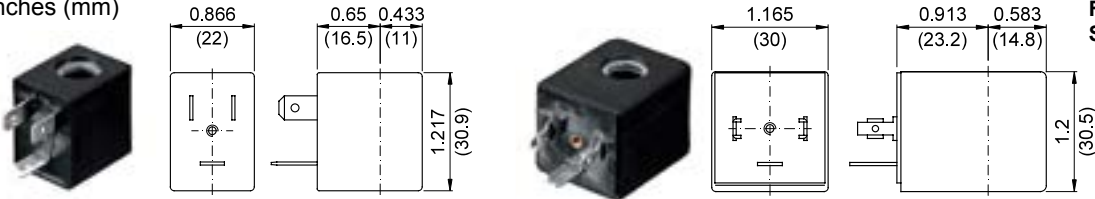




COILS Code ②	Alternating Current						Direct Current				Electrical connection	Connectors	DESCRIPTION Class F or H insulation Voltage tolerance ±10% Protection class: IP65 with connector attached IP00 without connector Continuous service ED100%  OPTIONS Cable attached Special coil voltage Special coil powers
	24V		120V		240V		12V		24V				
Series 3 Width 22mm	U35B c	30B	U35D c	30D	U35F c	30F	U350 c	300	U351 c	301	DIN 46244	PG9 code 10348000	
Series 4 Width 30mm	-	40B	-	40D	-	40F	U450 c	400	U451 c	401	DIN 43650A	PG9 code 10349000	

### OVERALL DIMENSIONS

inches (mm)



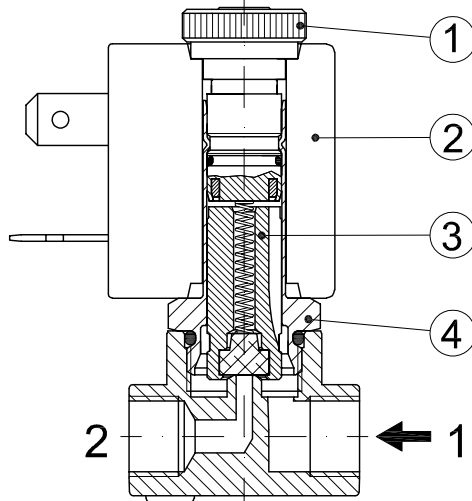
Series 3 Weight 0.11lb (0.05Kg)

Series 4 Weight 0.22lb (0.1Kg)

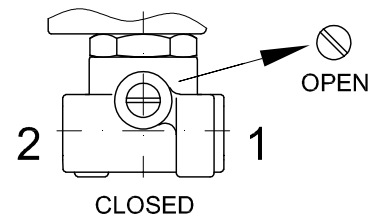
FOR COIL SPECIFICATION SEE SECTION 6

### SPARE PARTS LIST

1. Coil fixing nut
2. Coil
3. Plunger assembly
4. Armature tube assembly

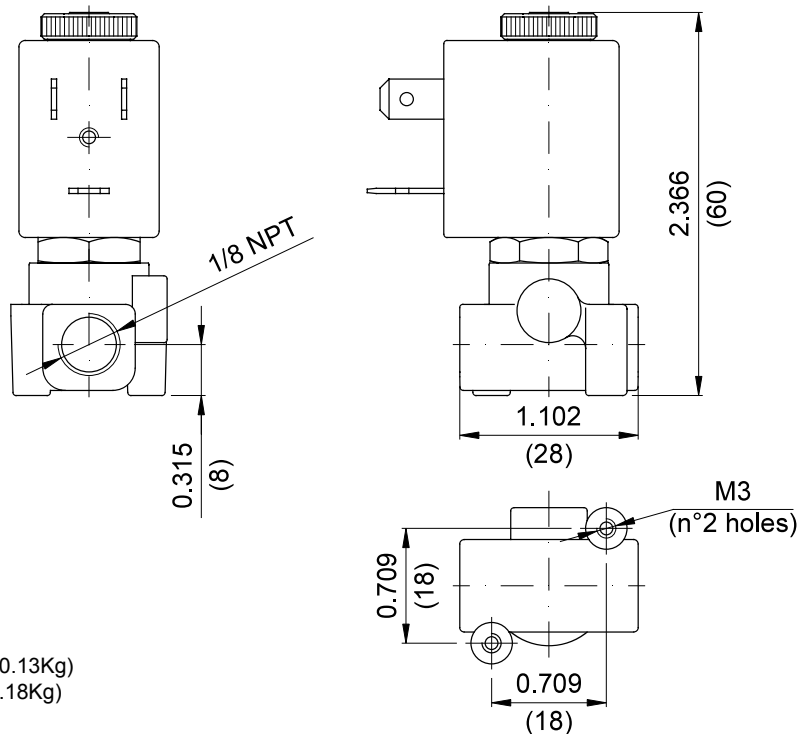


### MANUAL OVERRIDE



### OVERALL DIMENSIONS

inches (mm)



Weight with coil series 3=0.29lb (0.13Kg)  
Weight with coil series 4=0.4lb (0.18Kg)